

PIRSCAN

PASSIVE INFRARED MOTION SENSOR WITH ACTIVE INFRARED THRESHOLD SENSOR

PIRSCAN-V1-2000 9/00

PIRscan is a Passive Infrared Motion Sensor *and* an Active Infrared Threshold Sensor. Reglomat's superior Infrared technologies are combined to offer Activation and Safety in one unit.

Adjustable Detection Fields – Both the PIR and the AIR detection fields are adjustable. By adding or removing special lens cover strips you can shape the pattern of the PIR field and/or trim the size of the AIR field thereby allowing you to achieve an optimum performance level for any installation situation.

Mounting Options – The PIRscan's compact design gives you a choice in mounting options. It can be surface mounted with a bracket (shown) or recessed into a header. *The use of an additional lens may adversely affect the performance of the PIRscan.*

Outputs – The relay output signal is easily selectable with a DIP switch to N/O or N/C. This signal is activated by both the PIR & AIR. An optional PNP output is also available for the AIR.

Teach in Time – The AIR threshold protection beams have an adjustable teach in time. 15 sec. 180 sec. or 10 min. This feature allows you to choose how long an object can remain within the detection field before the sensor will adapt to and then ignore the object. Once the object has been removed the AIR recognizes the former original background and thus does not require a new teach in phase.

Compensation for long term drift – The AIR protection automatically compensates for external factors such as temperature fluctuations, contamination of the lens surface or changes in the floor conditions due to snow, rain etc.

- ◆ Superior PIR Activation plus AIR Presence Detection.
- ◆ Both the Passive IR and the Active IR detection fields are independently adjustable.
- ◆ The AIR threshold sensor automatically adapts to changing floor conditions.
- ◆ User select-able scanning patterns and sensitivity settings.
- ◆ Compact design allows for easy recess or external mounting.
- ◆ Relay or PNP output available.
- ◆ Select-able NO or NC relay outputs.

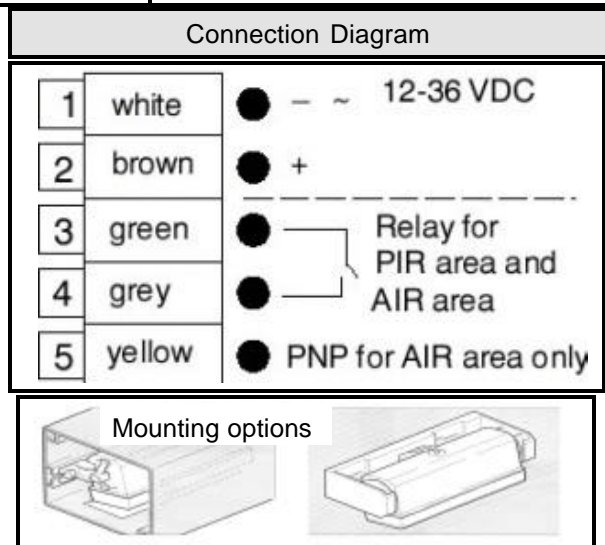
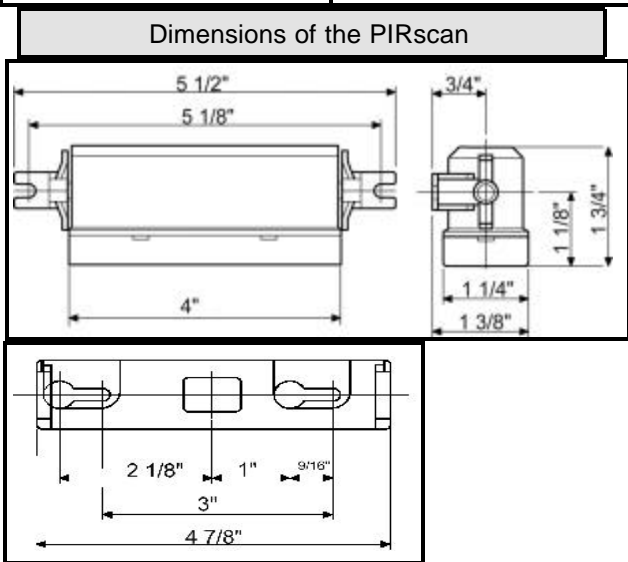


PIRscan

Motion & Presence detection in one unit.



PIRSCAN TECHNICAL DATA		
Field Dimensions	PIR Widest field approx. 71" x 102" Smallest field approx. 20" x 32" AIR Widest field approx. 71" x 8" - 9 beams Smallest field approx. 24" x 8" - 3 beams	PIR and AIR fields can be independently adjusted.
Scanning range AIR	Approx. 39" to 157"	
Signal output	Relay – 1 x potential free pulsed contact. max. switching voltage 48 V AC/DC max. switching current 0.5 A AC/1.0 A DC max. switching capacity 60 VA / 30 W	PNP – on request 1 potential free N/O contact (AIR & PIR) max. switching voltage 48 V AC/DC max. switching current 0.5 A AC/1.0 A DC max. switching capacity 60 VA / 30 W
Mounting height	Max 157"	
Sensitivity adjustment	By potentiometer	
Operating voltage	12-28 V AC /12/32 V DC	
Current consumption	Approx. 100 mA at 24 V AC	
Response time	About 150 ms	
Relay hold open time	About 350 ms	
Switching mode	Selectable N/O or N/C	
Function indication	Red LED lights on detection	
Connection	Plug-in screw terminal	
Protection class	IP 52 / Nema 12	Electromagnetic compatibility = CE according to EMC directive 89/336 EEC
Housing material	ABS	
Operating Temperature	-4°F to 140°F	
Optical surface / Housing / color	PMMA / Plastic / Black	



Ordering Information		
Product	Features	Order Code
PirScan /31 includes swivel bracket, mounting bracket & cable L=118"	Relay output	F533 114000
PirScan /31-32 includes swivel bracket, mounting bracket & cable L=118"	PNP output	F533 114020

*Reglomat reserves the right to alter technical specifications when it is in accordance with product improvement.