

Product Information

Available Rubber Profiles for ENT-20



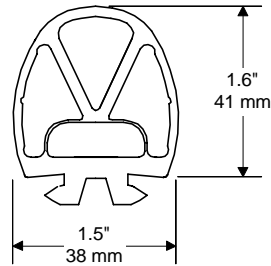
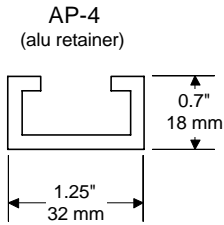
PI - ELE

No. 1 / 2001

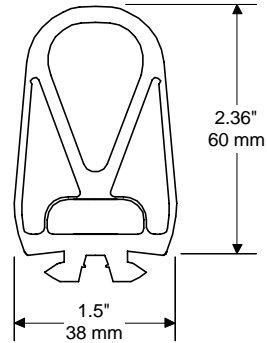
2 pages

D - foot profiles

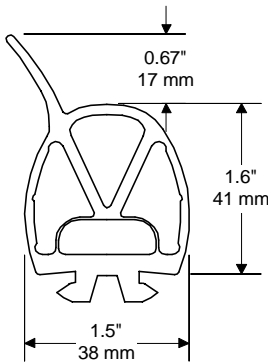
snap into the retainer



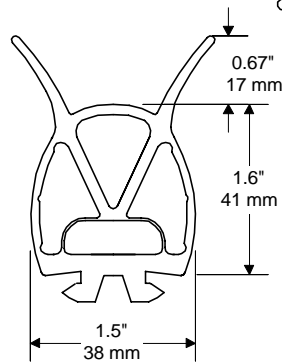
EPE036/040A0D0



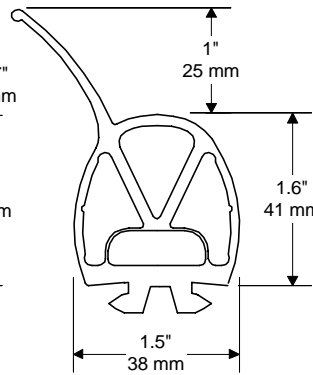
EPE036/060A0D0



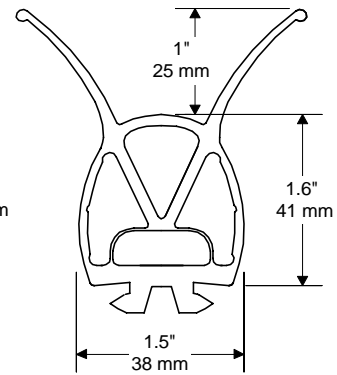
EPE036/040C1D0



EPE036/040GC2D0



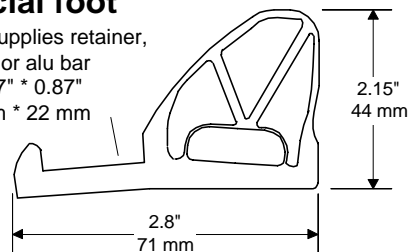
EPE036/040G1D0



EPE036/040G2D0

Special foot

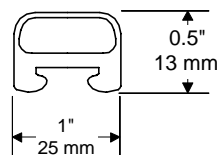
Customer supplies retainer,
steel or alu bar
0.37" * 0.87"
3 mm * 22 mm



EPE070/A000

Special foot

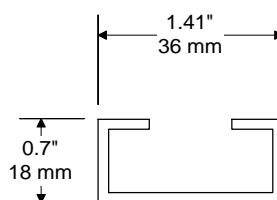
slides into
mini DIN rail
supplied by customer
or Bircher America



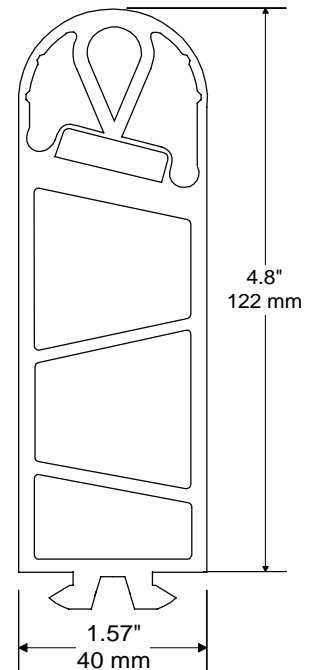
EPP025/013A0R (red)
EPP025/013A0M (black)

A - foot profile

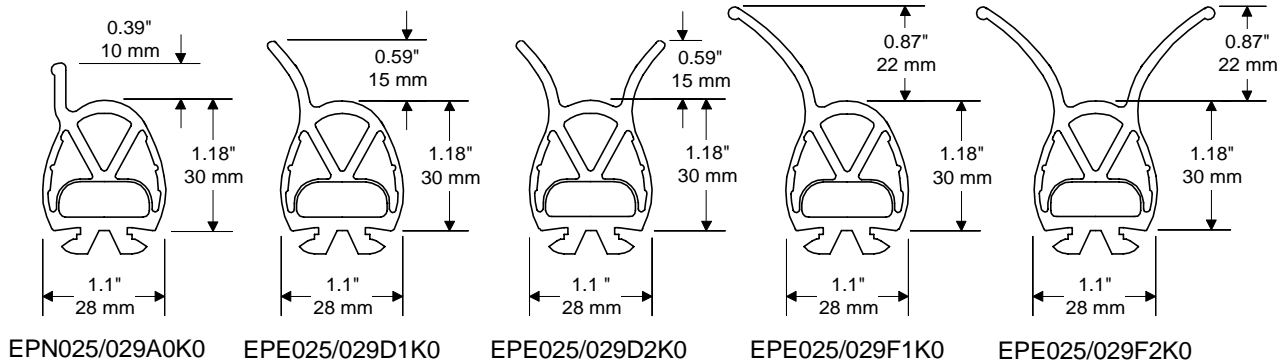
snap into the retainer



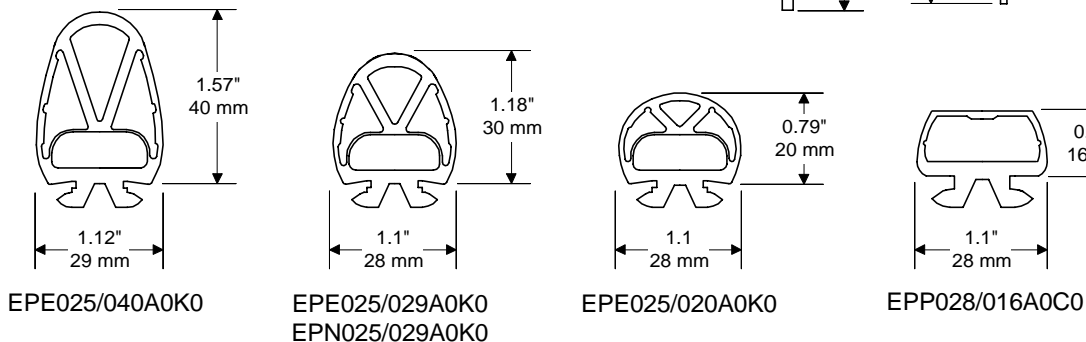
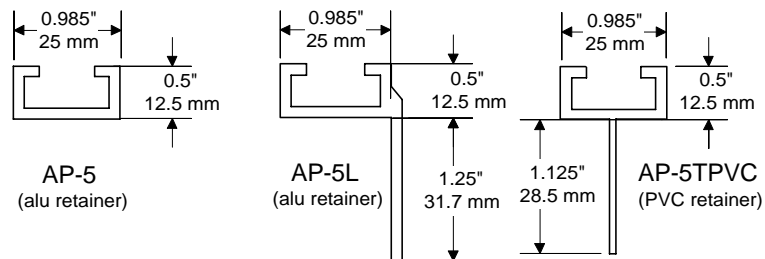
AP-1
(alu retainer)



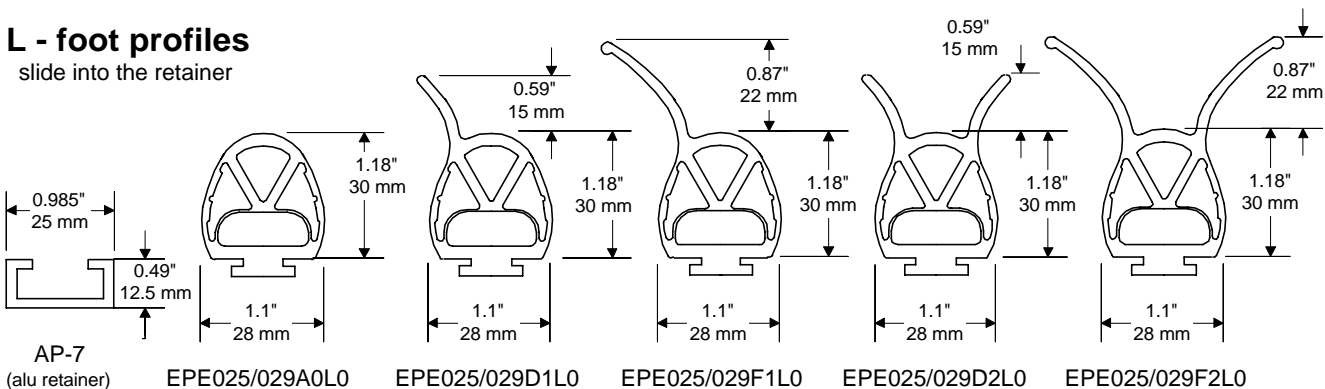
EPE040/122A0A0



K - foot profiles
C - foot profiles
 snap into the retainer



L - foot profiles
 slide into the retainer



Material Code: EPE = EPDM rubber EPP = PVC rubber EPN = Nitrile rubber

Bircher America Inc. 909 E. Oakton Street, Elk Grove Village, IL 60007
 Tel. 847-952-3730 Fax 847-952-2005 e-mail: sales@bircheramerica.com