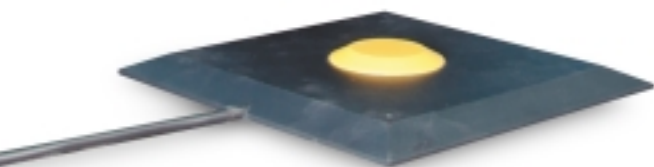


BUTTON



WORLD OF SENSORIC WORLD OF SENSORIC

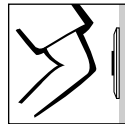
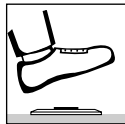
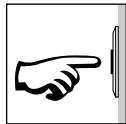
Flat button for controlling machines and plants



Application

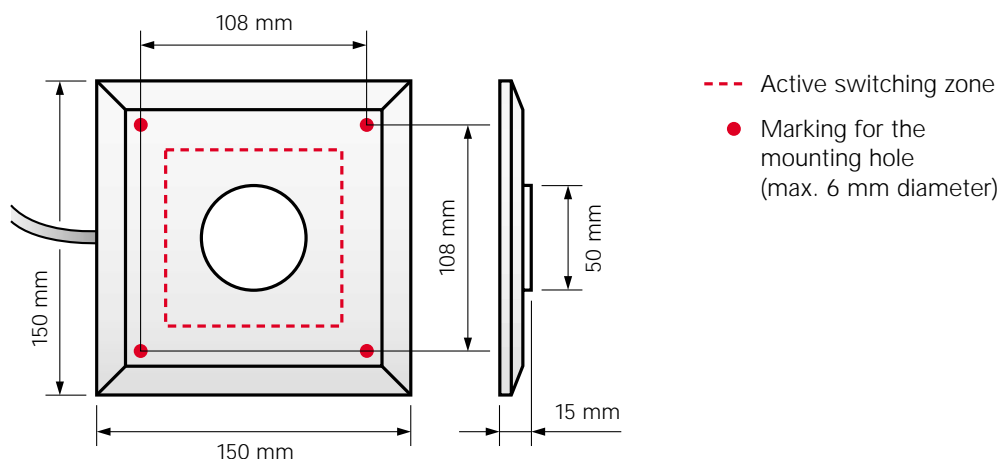
BUTTON – a simple flat button – can be used for controlling different machine functions. Whether you have to open a door by an impulse, or start an application, BUTTON is the interface between man and machine. Mounted horizontally or vertically, it can be

actuated easily by hand, foot or arm. The extremely robust design of BUTTON, withstanding dirty as well as moist environment, is approved for the daily use in heavy mechanical applications.



Technical data

Dimensions	150 x 150 x 15 mm	Response power (typical)	35 N
Material	Polyurethane black/yellow	Response travel	0.5 mm
Weight	0.25 kg	Switching contact	Potential-free contact
Application temperature	+5° C to +50° C	Cable type	DM cable 2 x 0.5 mm ²
Protection class	IP67	Cable length	5 m
Loading capacity	48 V, 0.1 A		



Ordering information

Ordering information	Designation
ES-BUTTON-150 x 150	BUTTON
ES-EC-5	Extension cable (5 m)
ES-EC-10	Extension cable (10 m)

Your contact

Bircher Reglomat AG
 Wiesengasse 20
 CH-8222 Beringen
 Switzerland
 Phone +41 (0)52 687 11 11
 Fax +41 (0)52 687 12 10
 info@bircher.com
 www.bircher-reglomat.com

Note:

Technical details and recommendations concerning our products are based on experience and are an aid for the orientation of the user. Details stated in our brochures and data sheets do not guarantee special properties of the products. This does not apply to special product properties confirmed in writing or individually on a case-by-case basis. Subject to technical alterations.